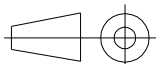
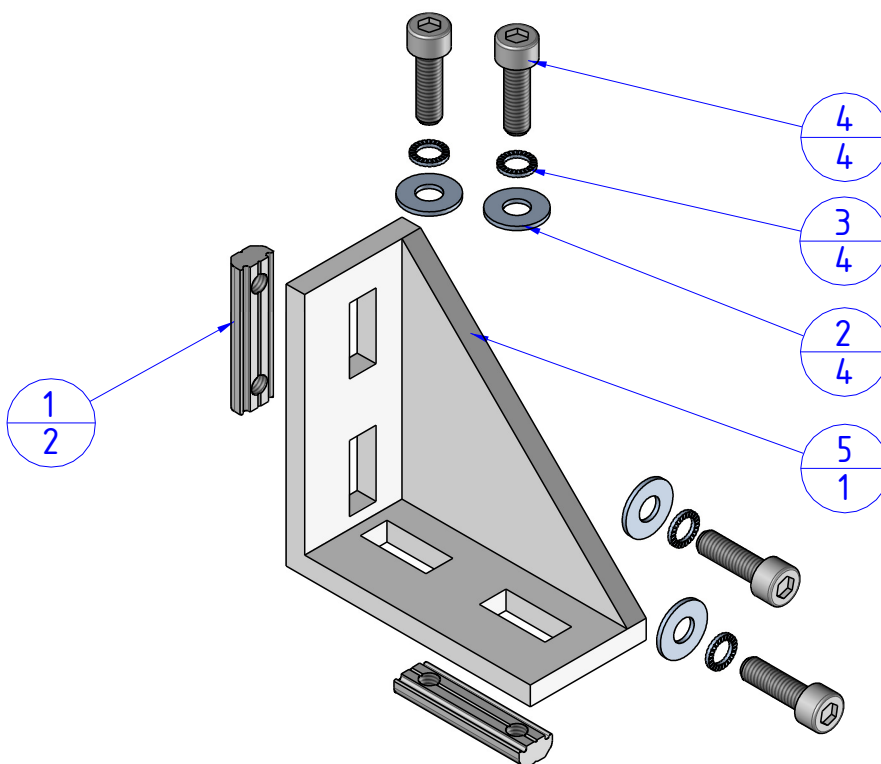
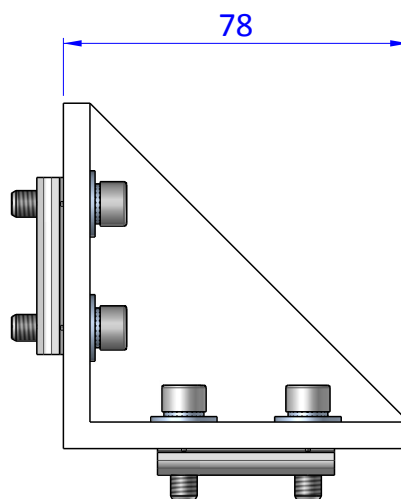
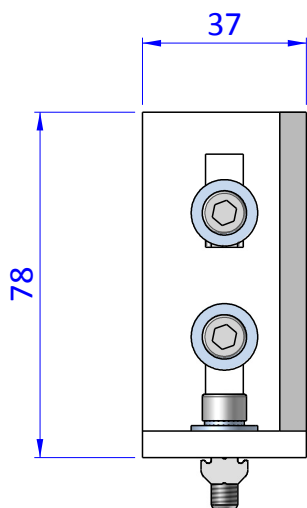


THE PROPERTY OF THE DRAWING IS ESTABLISHED BY LAW. IT IS FORBIDDEN TO PRODUCE OR SHOW IT TO THIRD PART. WITHOUT A WRITTEN AGREEMENT.

Item	Name	Q.ty
1	CA.GWP.6.28	2
2	R.6.L	4
3	R.6.SCH	4
4	V.TCE6x20	4
5	WIV.JU.80.E	1



Format A4
UNI 936-76

GENERAL TOLERANCE
UNI - ISO 2768
CLASSE f

DESCRIPTION
CA.WIV.JU.80.E

DESIGNED FROM FP SERVICES		REVIEW A
DATE 30/04/2016	WEIGHT 0,184kg	
CODE CA.WIV.JU.80.E		